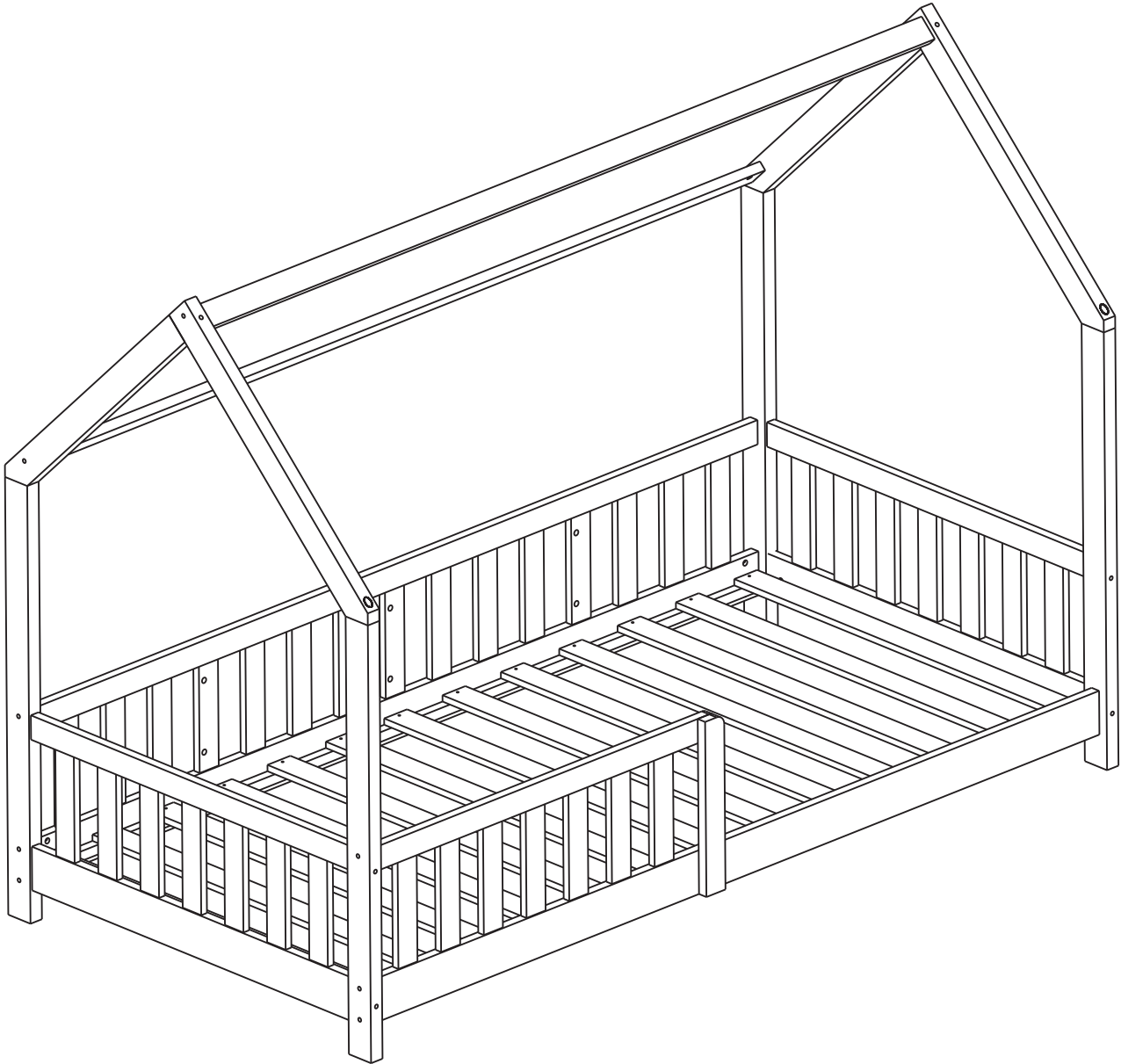
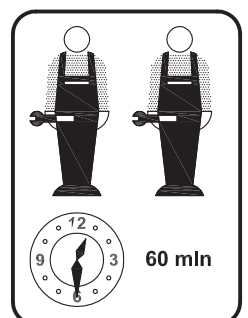


Explorer Playhouse Bed

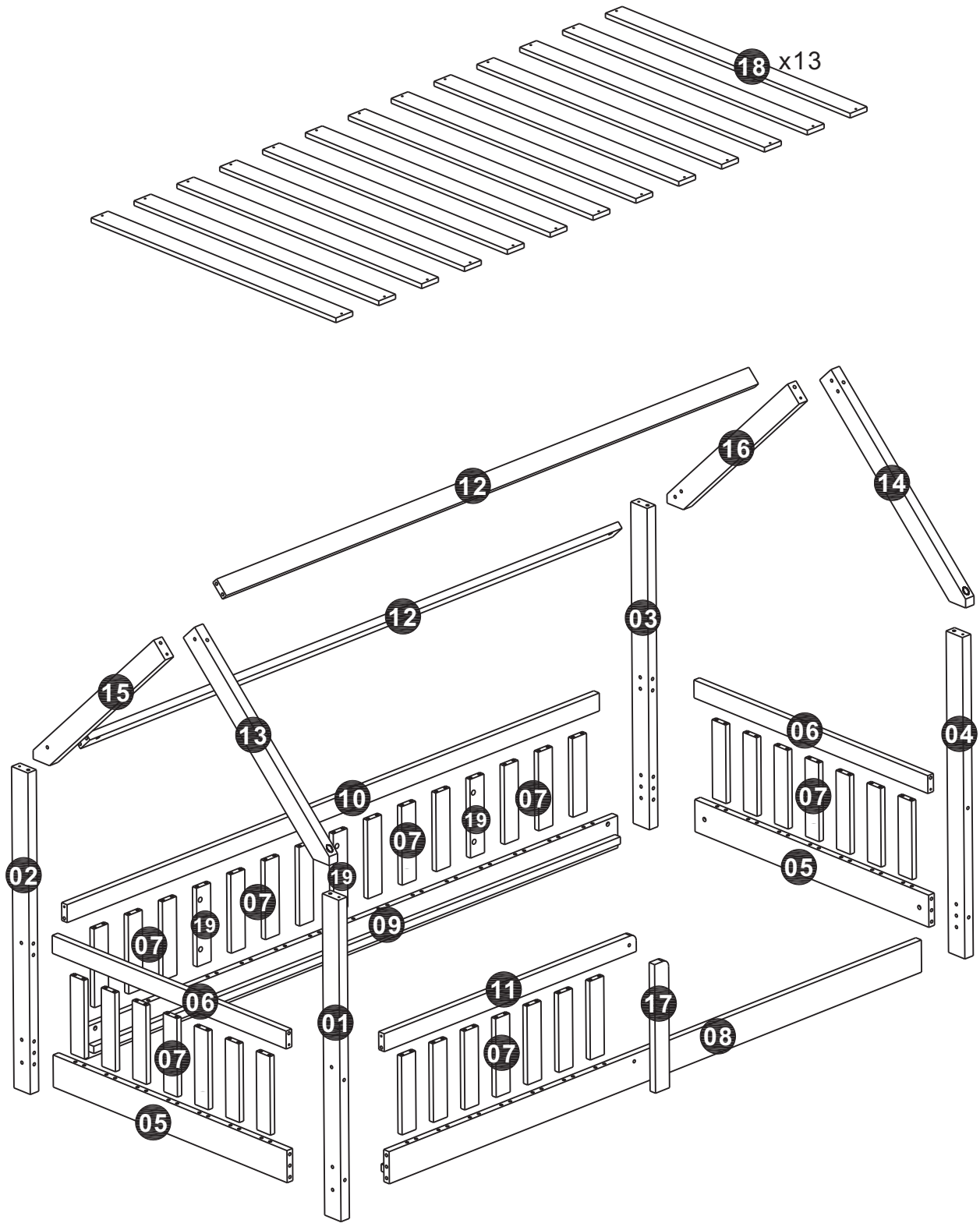


READ THE ASSEMBLY INSTRUCTIONS CAREFULLY. IDENTIFY THE ELEMENTS CONSTITUING YOUR PIECE OF FURNITURE. GROUP AND CHECK THE HARDWARE FITTINGS. GET THE TOOLS NEEDED. CLEAR SPACE TO WORK. PROCEED TO ASSEMBLE




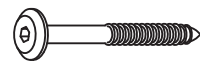

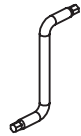
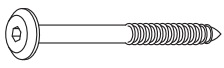
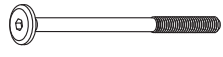
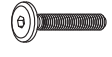
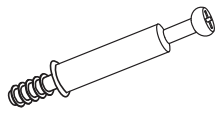

NEVER FORCE THE FITTINGS. TIGHTEN THE SCREW AFTER USING FOR SOMETIME. KEEP YOUR ASSEMBLY INSTRUCTIONS, IT COULD HELP FOR BETTER COMMUNICATION WITH YOUR STORE. IN THE EVENT OF QUERY.



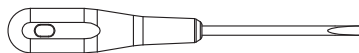
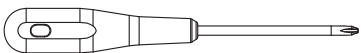
EXPLODED VIEW



HARDWARE

<p>A x8</p>  <p>M6x70mm</p>	<p>B x12</p> 	<p>C x167</p>  <p>Ø8 x30mm</p>	<p>D x11</p>  <p>Ø6 x70mm</p>	<p>E x26</p>  <p>Ø4 x30mm</p>
<p>F x1</p> 	<p>G x6</p>  <p>Ø6 x100mm</p>	<p>H x4</p>  <p>M6 x100mm</p>	<p>I x2</p>  <p>M6x30mm</p>	<p>G x6</p> 
<p>H x6</p> 				

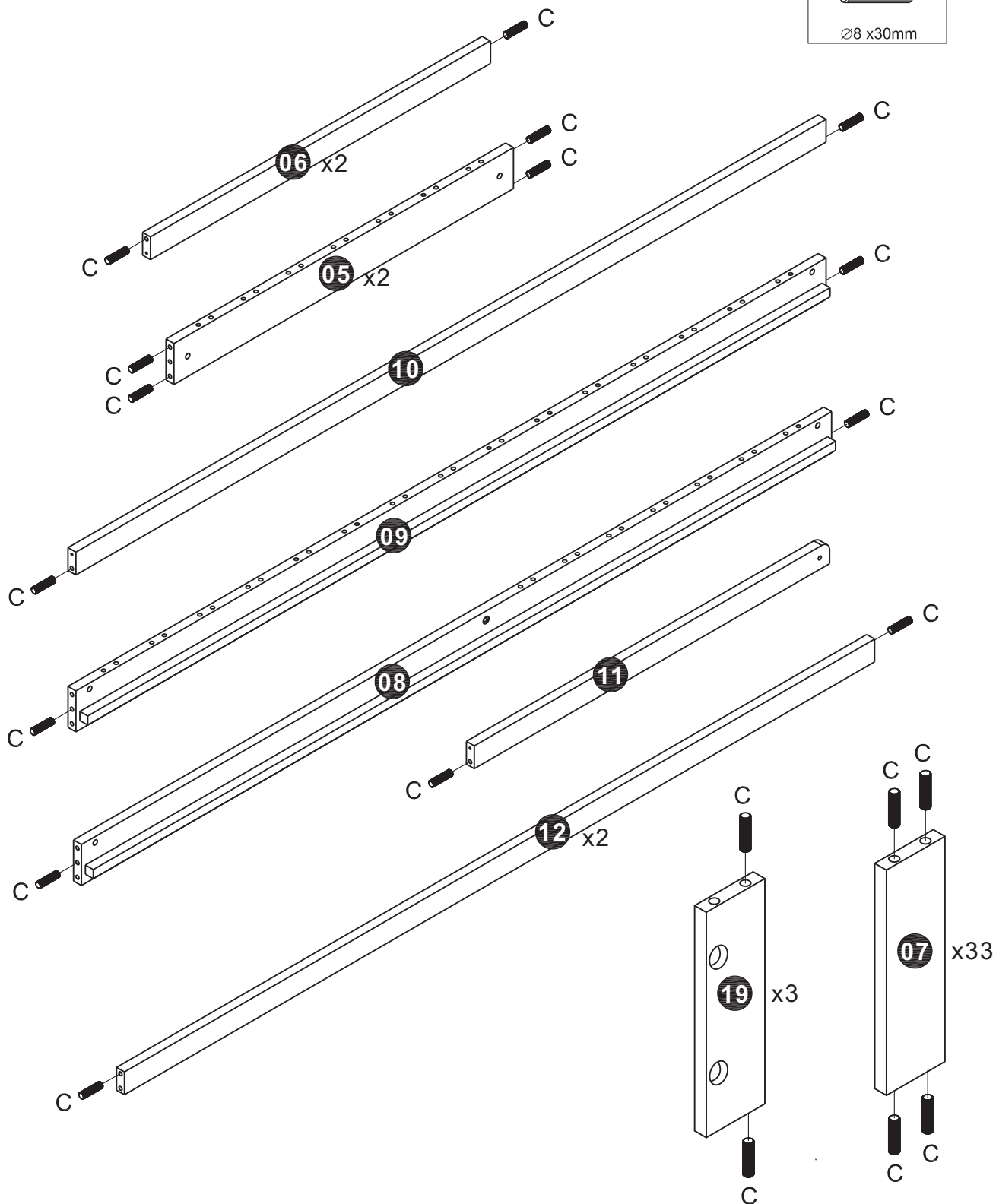
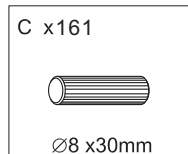
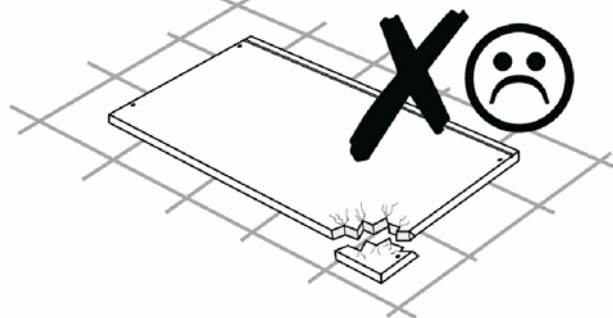
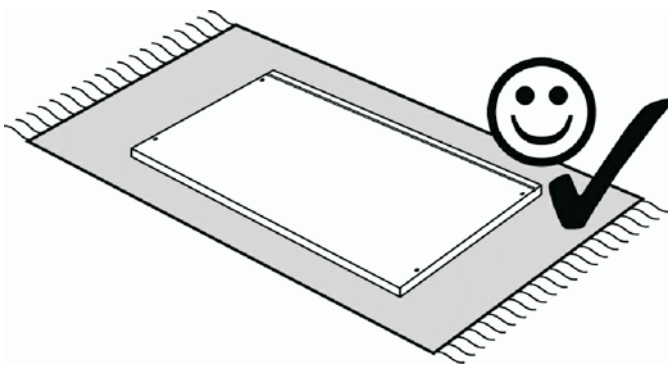
TOOLS



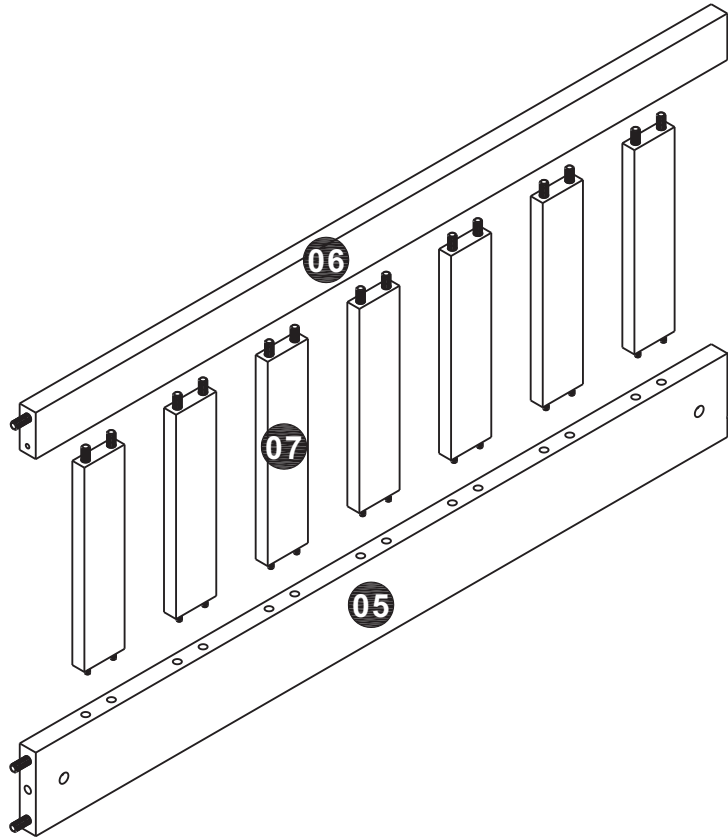
Ruler - Use this ruler to help correctly identify the screws



01


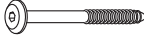
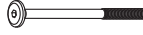



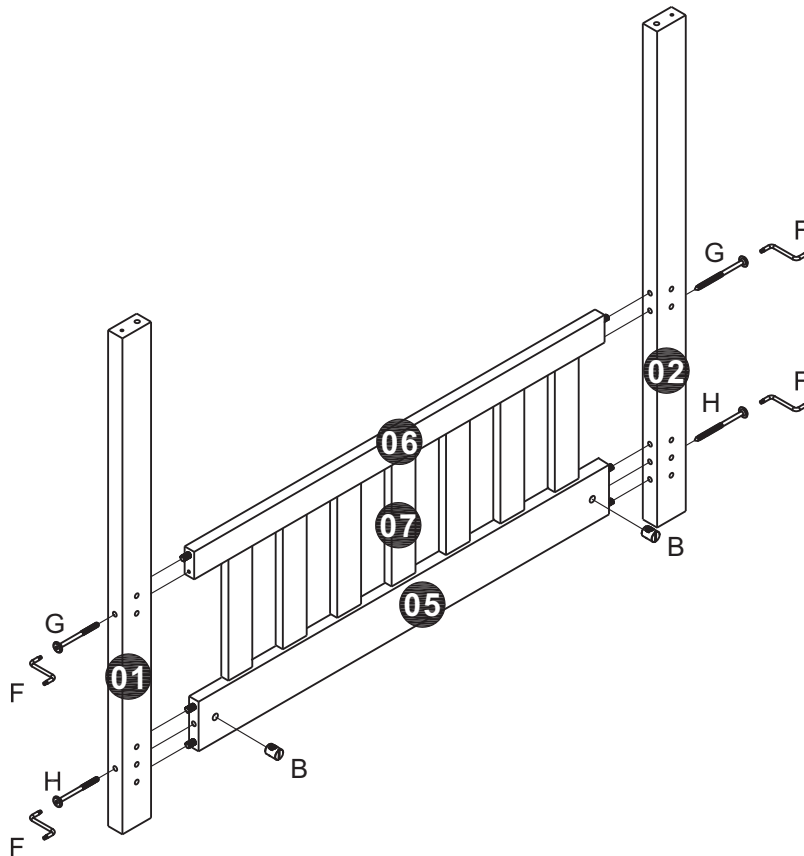
02







2 x

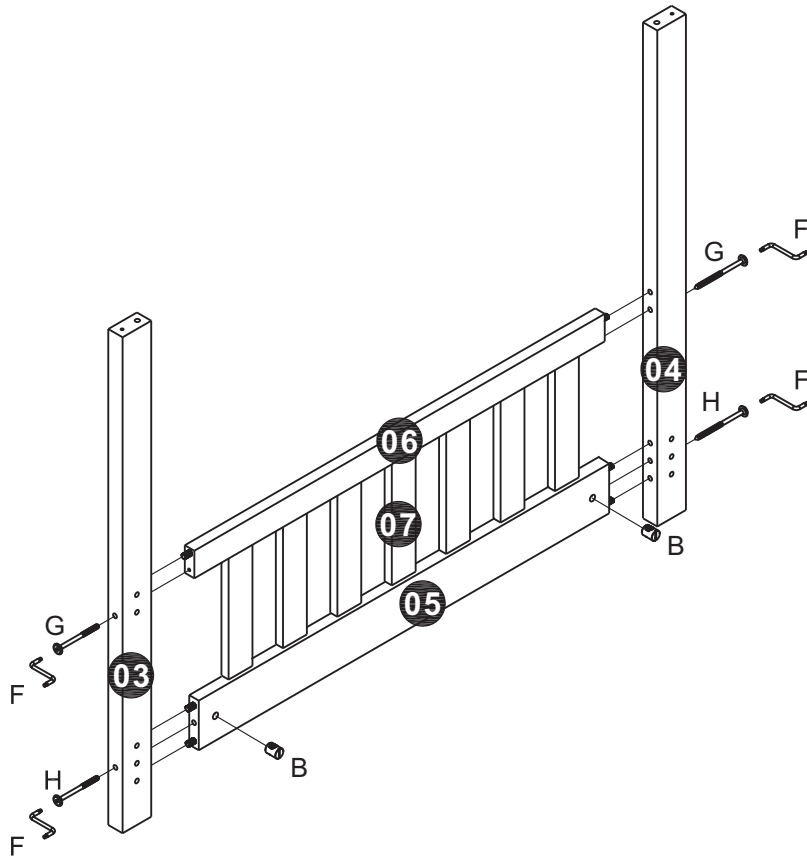
03

B x 2 	G x 2  Ø6 x100mm	H x 2  M6 x100mm	F x 1 
--	--	---	--




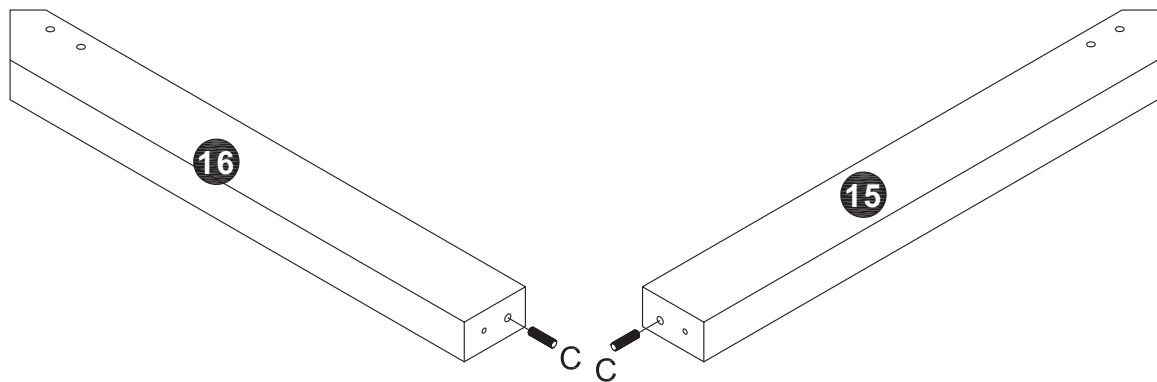
04

B x 2 	G x 2  Ø6 x100mm	H x 2  M6 x100mm	F x 1 
--	--	---	--

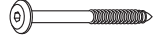



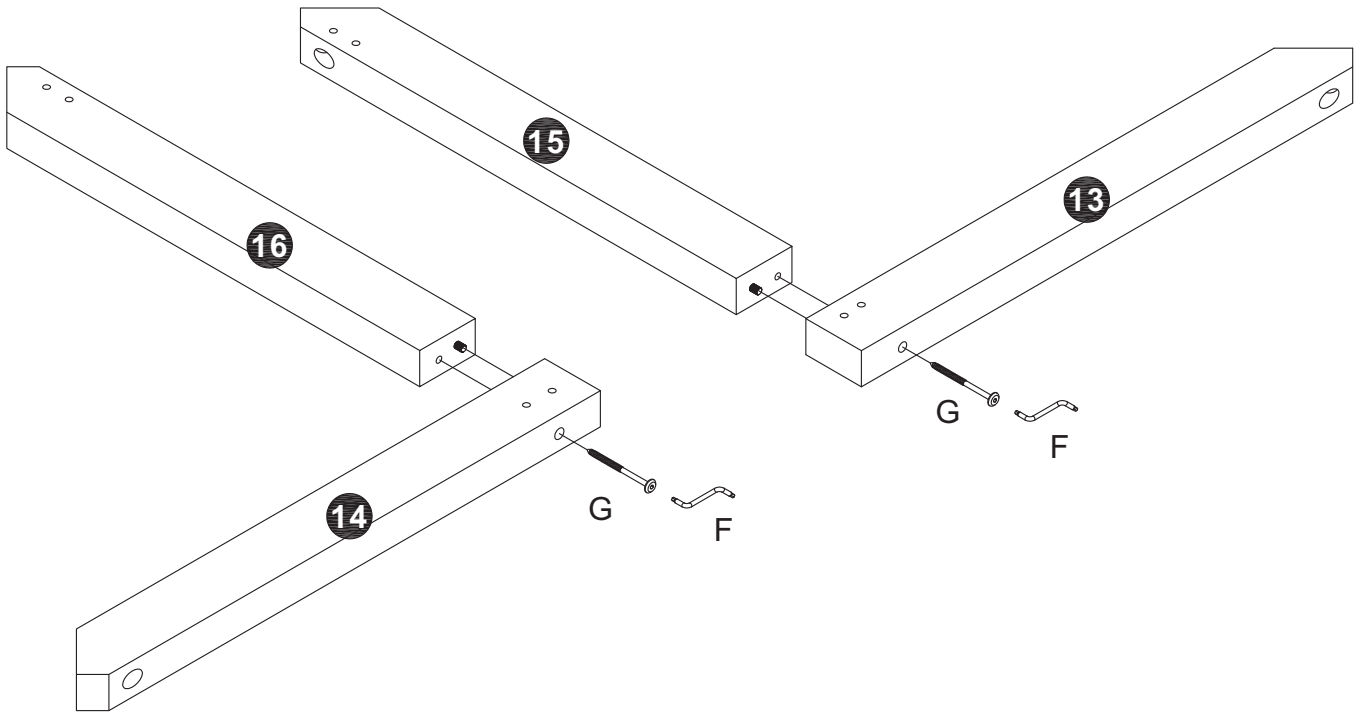
05

C x 2  Ø8 x30mm
--






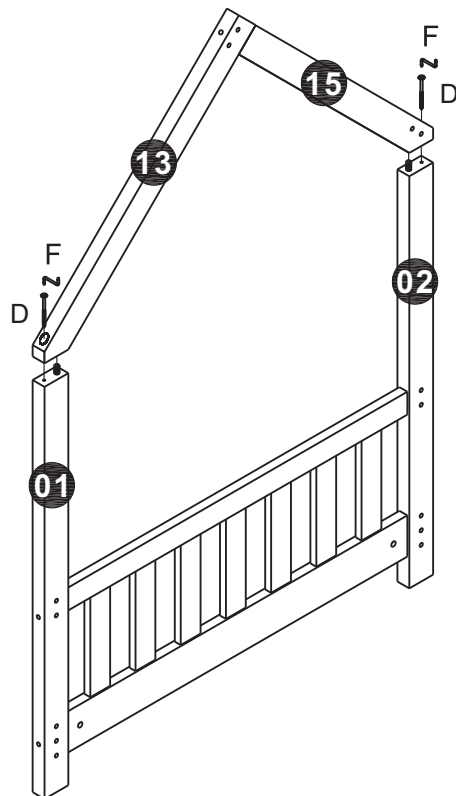
06

G x 2	F x 1
	
Ø6 x100mm	



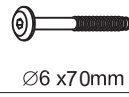
07

D x 2	F x 1	C x 2
		
Ø6 x70mm		Ø8 x30mm



08

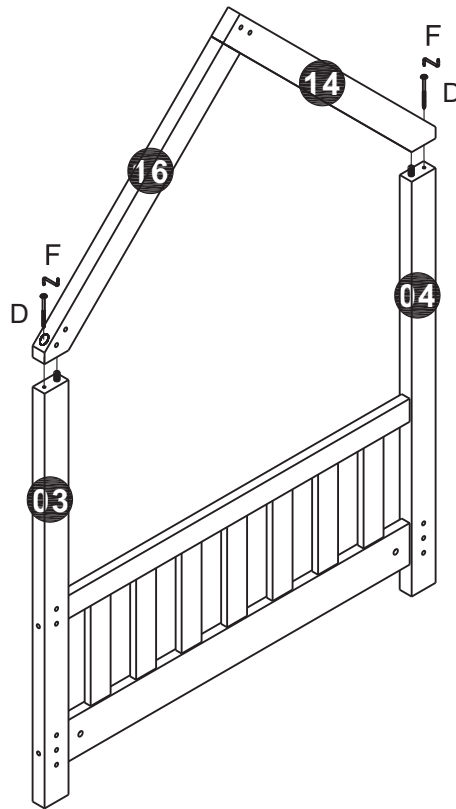
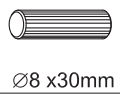
D x 2



F x 1

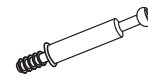


C x 2

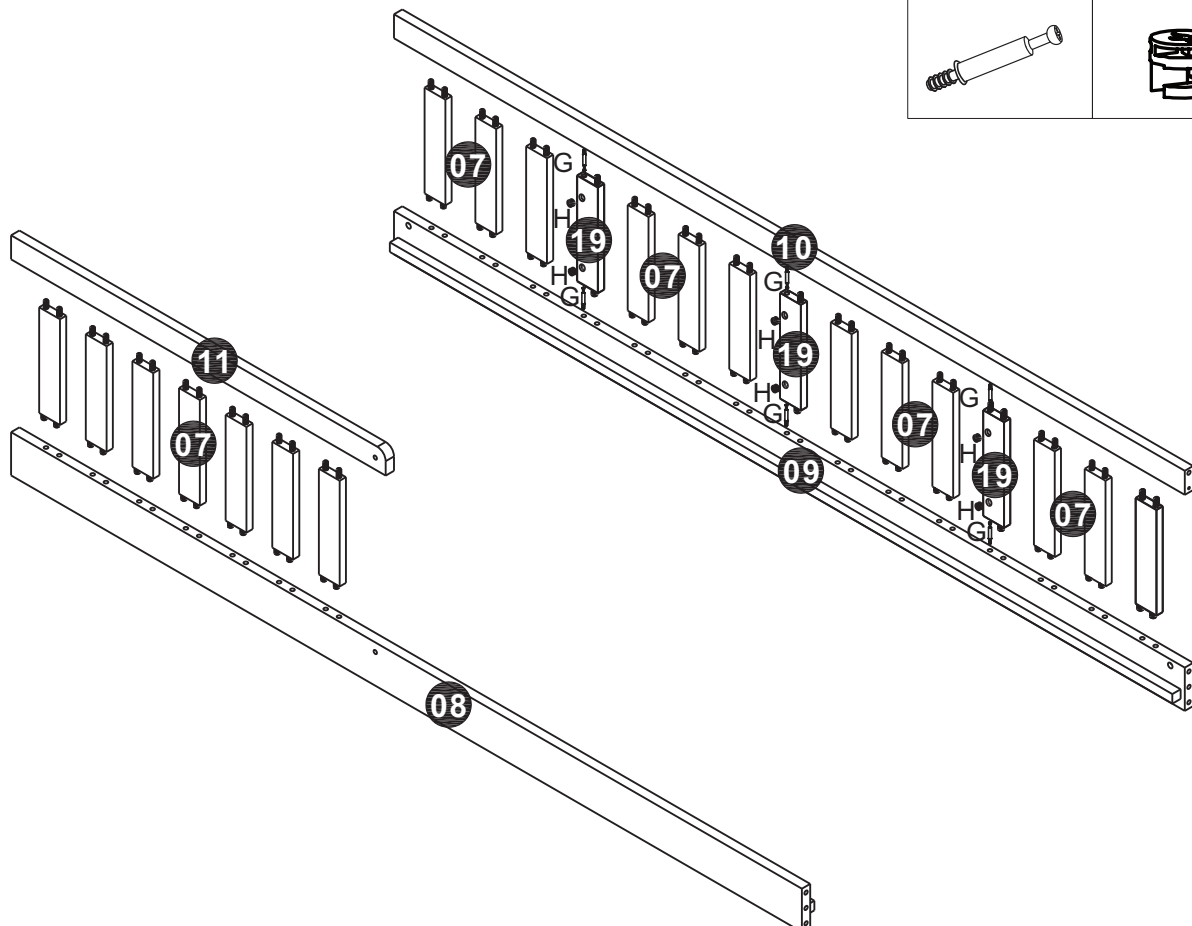


09


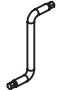
G x 6

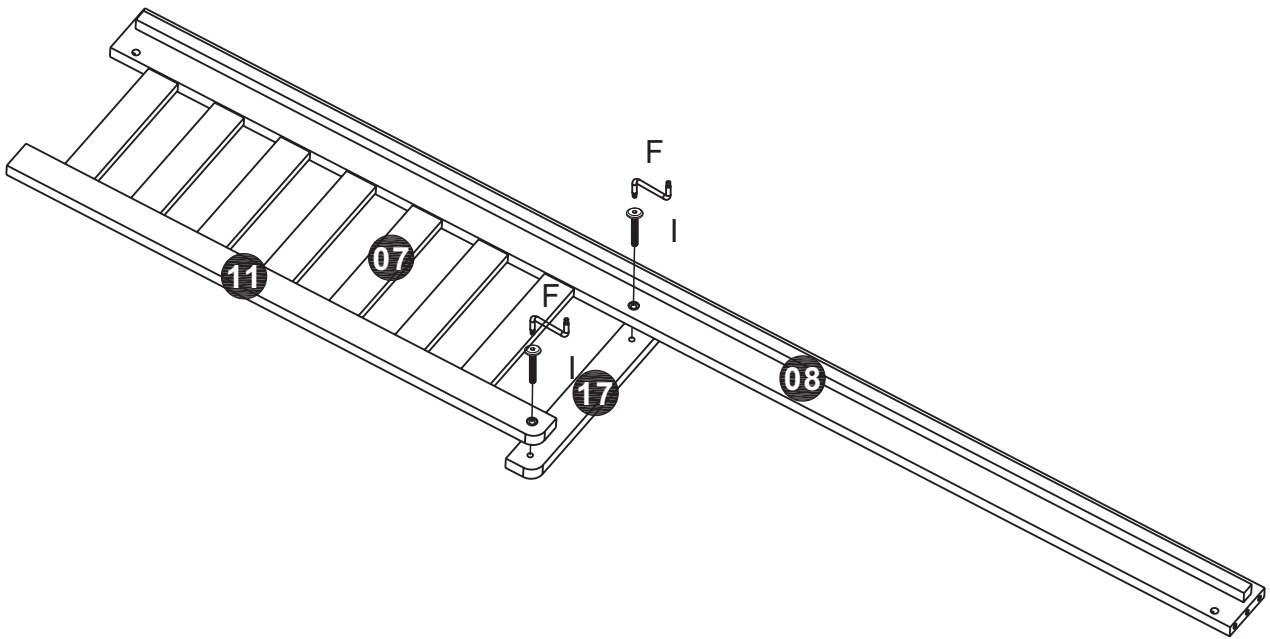


H x 6



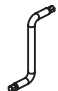



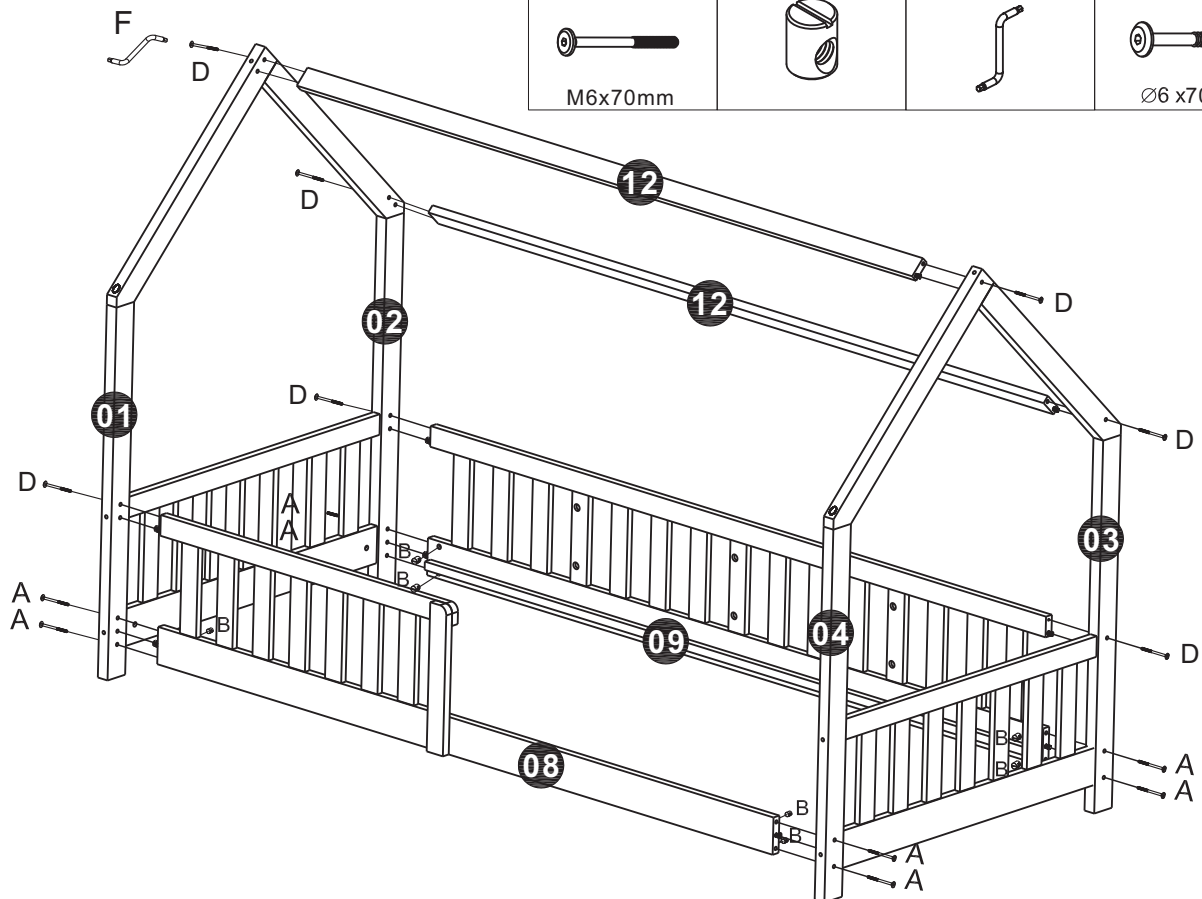
10

I x2	F x1
	
M6x30mm	



11

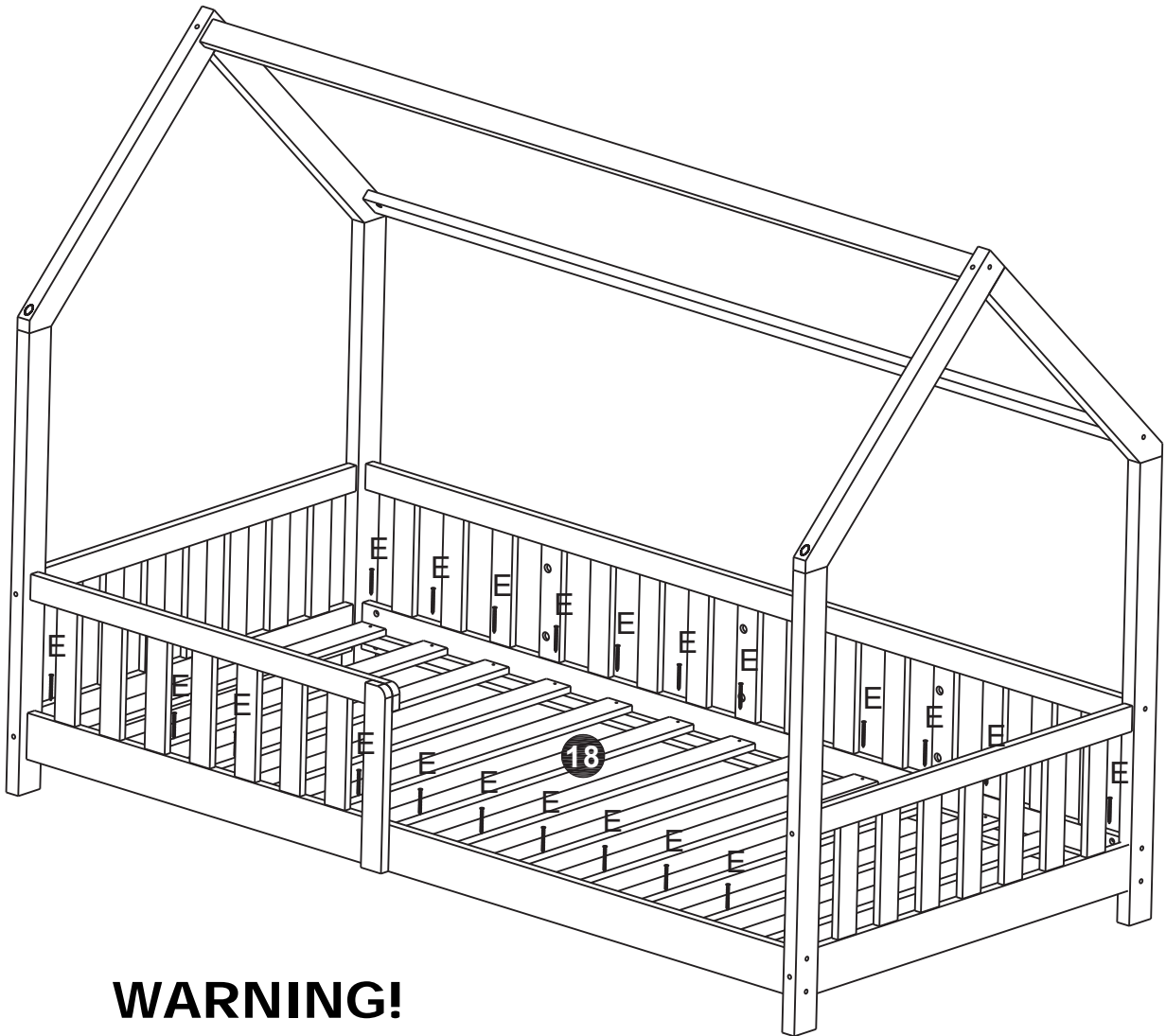
A x8	B x8	F x1	D x7
			
M6x70mm			Ø6 x70mm



E x 26



Ø4 x30mm



WARNING!

Press the middle of the bed sides
and tighten the screw first!!!